

settlement house



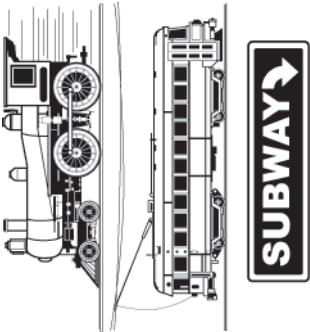
labor laws



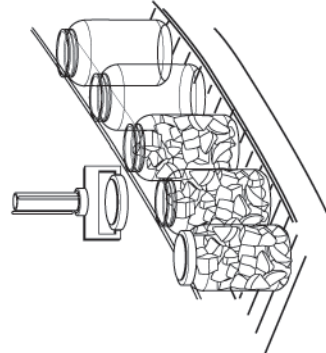
slum



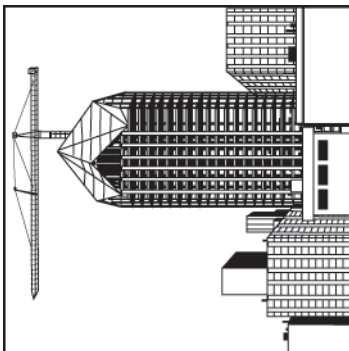
Progressives



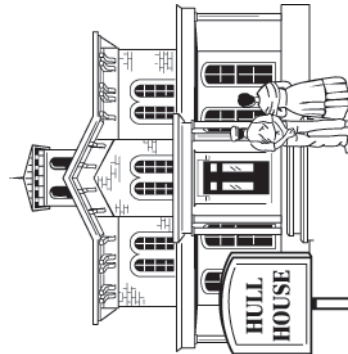
rapid transit



industrialization



urbanization



Hull House

Noun
A community center for people in cities.

(Chapter 6, Lesson 3)

Noun
A poor, crowded part of a city.

(Chapter 6, Lesson 3)

Noun
A system of trains used to move people around cities.

(Chapter 6, Lesson 3)

Noun
The growth of cities.

(Chapter 6, Lesson 3)

Noun
Laws that protect workers.

(Chapter 6, Lesson 4)

Noun
Reformers who think governments should make laws to protect workers, consumers, and citizens' rights.

(Chapter 6, Lesson 4)

Noun
The growth of industry.

(Chapter 6, Lesson 4)

Noun
A Chicago settlement house, or community center, opened by Jane Addams and Ellen Gates Starr in 1889.

(Chapter 6, Lesson 3)