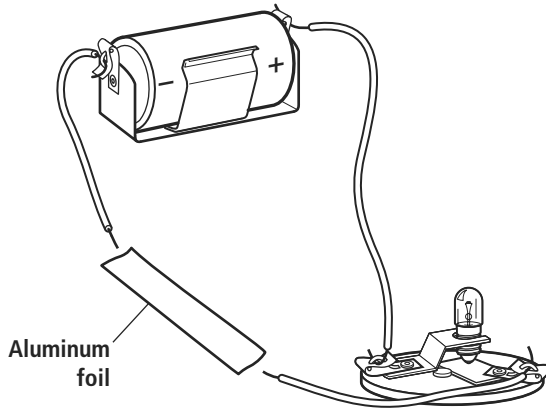


# Comparing Conductors



- 1 Use your materials to build the following circuit.



- 2 Record your observations for each material under the **Bright** or **Dim** heading in the chart.

Comparing Conductors	
Bright	Dim

- 3 Look at your list of conductors. The best conductors are

\_\_\_\_\_

- 4 The poorest conductor was

\_\_\_\_\_