

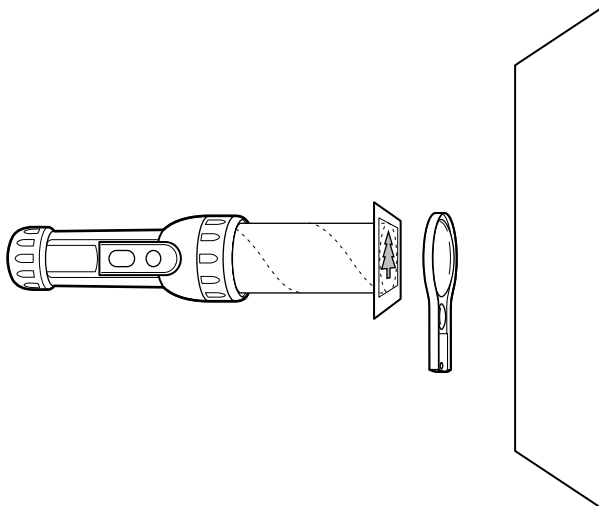
# Making a Projector

STUDENT RESOURCE 5.2

ACTIVITY SHEET



- 1 Hold a cardboard tube against a flashlight.
- 2 Turn on the flashlight and project the light onto the wall, ceiling, or desk.
- 3 Place your slide right-side up in front of the tube.
- 4 Hold the magnifier in front of the slide. Move the magnifier back and forth until the image is in focus.



- 5 Is the image right-side up or upside-down?  
\_\_\_\_\_
- 6 Is the image larger or smaller than the picture on the slide? \_\_\_\_\_