

# Section 6 Assessment

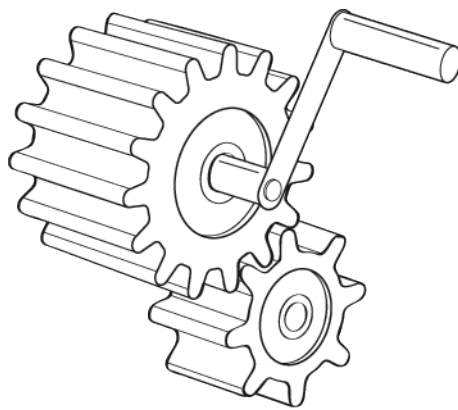


## Vocabulary

1 What is a gear?

---

## Gears



2 As the big wheel turns, will the small wheel turn faster or slower than the big wheel? Why?

---

---

## Tools that Use Wheels and Axles

3 Look at the tool at your station. Draw it on the back of this sheet. Label its wheel and its axle.