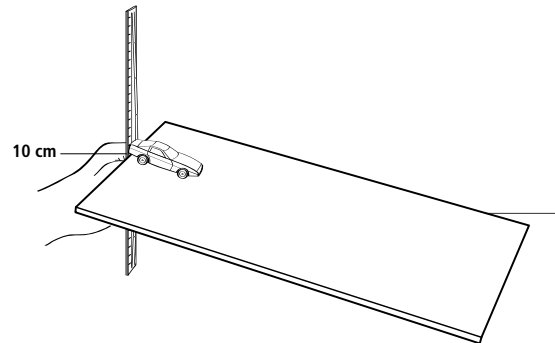
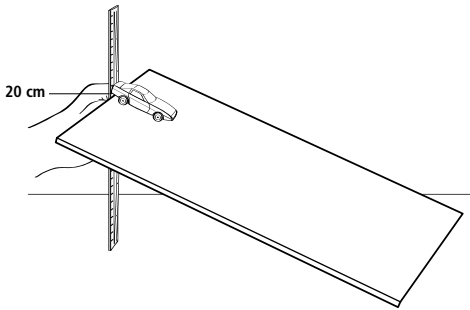


# Car Race



- 1 Prediction:** Which will reach the bottom of the ramp first, the car on the high ramp or the car on the low ramp?
- \_\_\_\_\_

- 2** Circle the car that reached the bottom of the ramp first.



- 3** Why did this car reach the bottom of the ramp first?
- \_\_\_\_\_
- \_\_\_\_\_