

6. Why do water droplets form on the surface of a cold drinking glass?

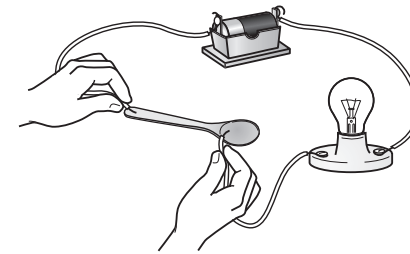
- A. Glass chemically changes into water.
- B. Water vapor leaks through the glass.
- C. Water droplets leak through the glass.
- D. Water vapor condenses from the air.



S5P2b

7. A student connects a wooden spoon into a circuit. The light bulb does not turn on because wood is

- A. a conductor.
- B. an insulator.
- C. a source of electrical energy.
- D. less dense than water.



S5P3c

8. A bolt of lightning is most like

- A. a shock from a metal doorknob.
- B. an electric circuit from a D-cell battery.
- C. an electric motor.
- D. an electromagnet.

S5P3a

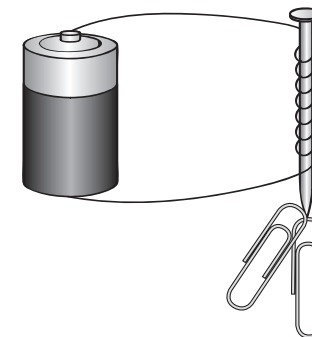
9. How are insulators used in electrical wiring?

- A. to coat the outside of a wire
- B. to carry electricity inside a wire
- C. to make the inside and outside parts of a wire
- D. to make only very large wires

S5P3b

10. How could this electromagnet be made more powerful?

- A. Use a shorter nail.
- B. Take away coils of wire.
- C. Add more coils of wire.
- D. Remove the D-cell battery.



S5P3d