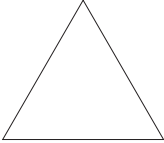
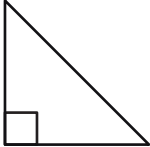
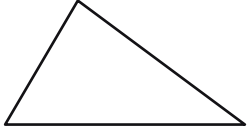




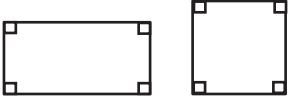
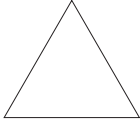




Name _____ Date _____

Hands On: Sort Triangles and Quadrilaterals

CA Standards
KEY MG 2.2, KEY MG 2.3

 all sides of same length	 1 right angle	 no sides same length
 all sides same length	 no right angles	 4 right angles
 1 pair of parallel sides	 2 pairs of parallel sides	 no parallel sides

Draw a figure to match the description. Use a ruler to help you.

1. A triangle with no sides the same length
2. A quadrilateral with 4 right angles
3. A quadrilateral with 2 pairs of parallel sides



Writing Math Why is a quadrilateral a better shape than a triangle for the door of a house? Explain.
