



Hands On: Centimeters and Millimeters

CA Standards
MG 1.1, MR 2.5

About how long is the piece of chalk?

The width of a finger is about 1 centimeter.

$$1 \text{ centimeter} = 10 \text{ millimeters}$$

$$1 \text{ cm} = 10 \text{ mm}$$

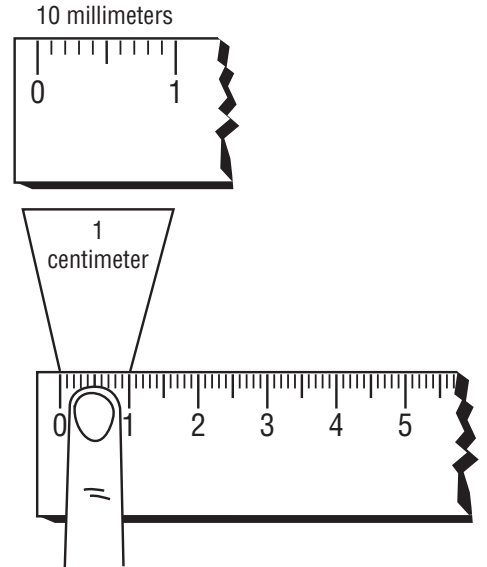
This piece of chalk is 10 centimeters long.



10 cm

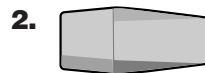
Solution:

It is about 10 finger widths, or 10 centimeters long.



Estimate. Then measure to the nearest centimeter.





Choose the better estimate.

3. length of a pen
20 mm or 10 cm

4. width of a plate
20 cm or 12 mm



Writing Math Which is longer, 33 mm or 3 cm? Explain.