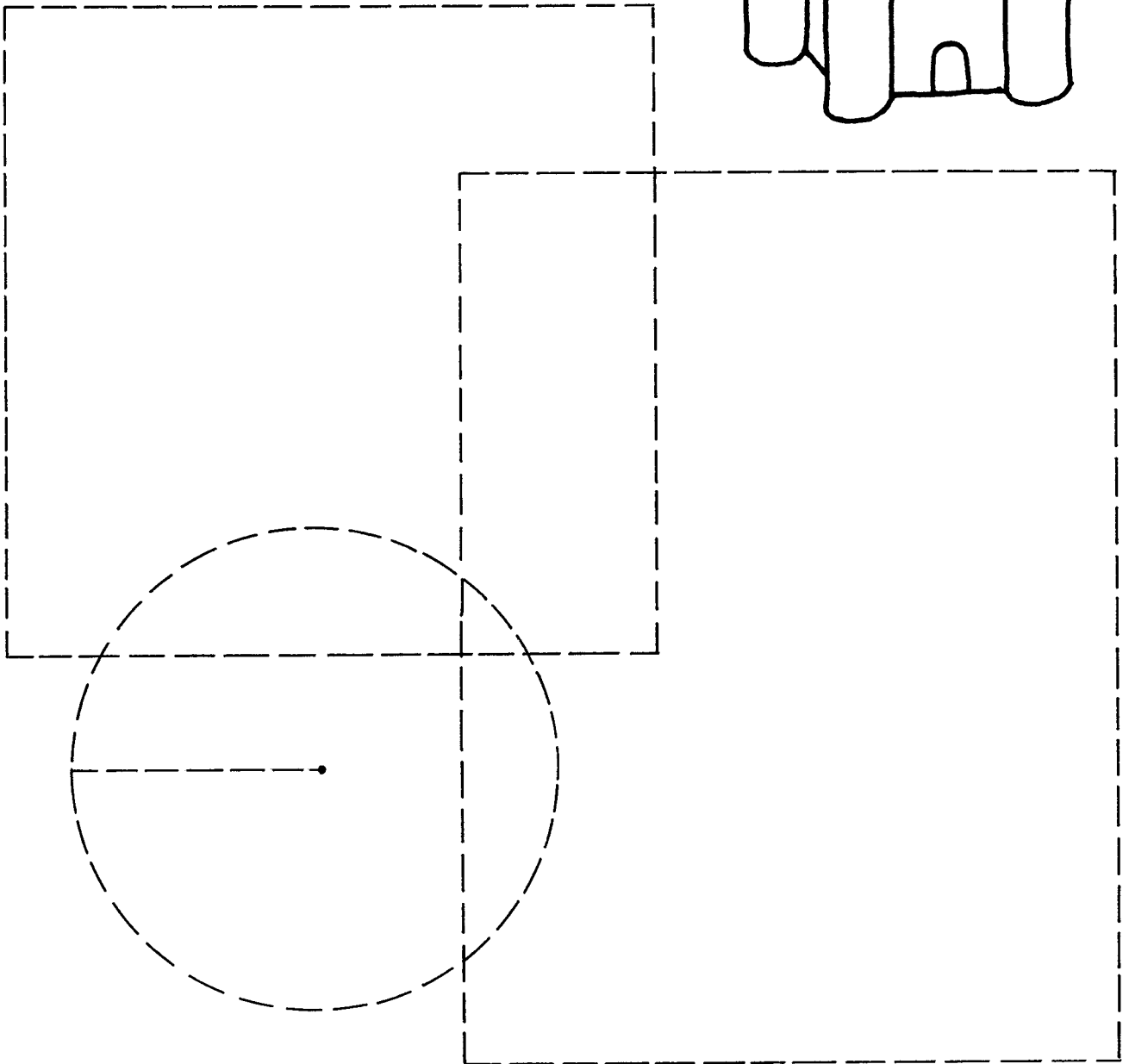
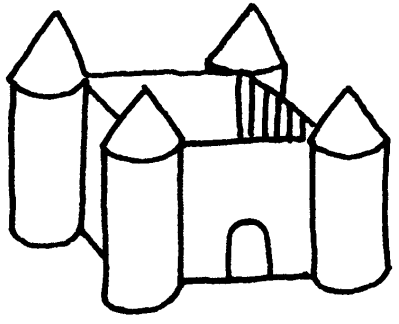


# Challenge

## Build Solid Shapes

Trace each piece 4 times and cut out the pieces to build the castle. Use tape to help you hold together the cube, cylinders, and cones.



# Challenge

## Build Solid Shapes

Trace each piece 4 times and cut out the pieces to build the castle. Use tape to help you hold together the cube, cylinders, and cones.

