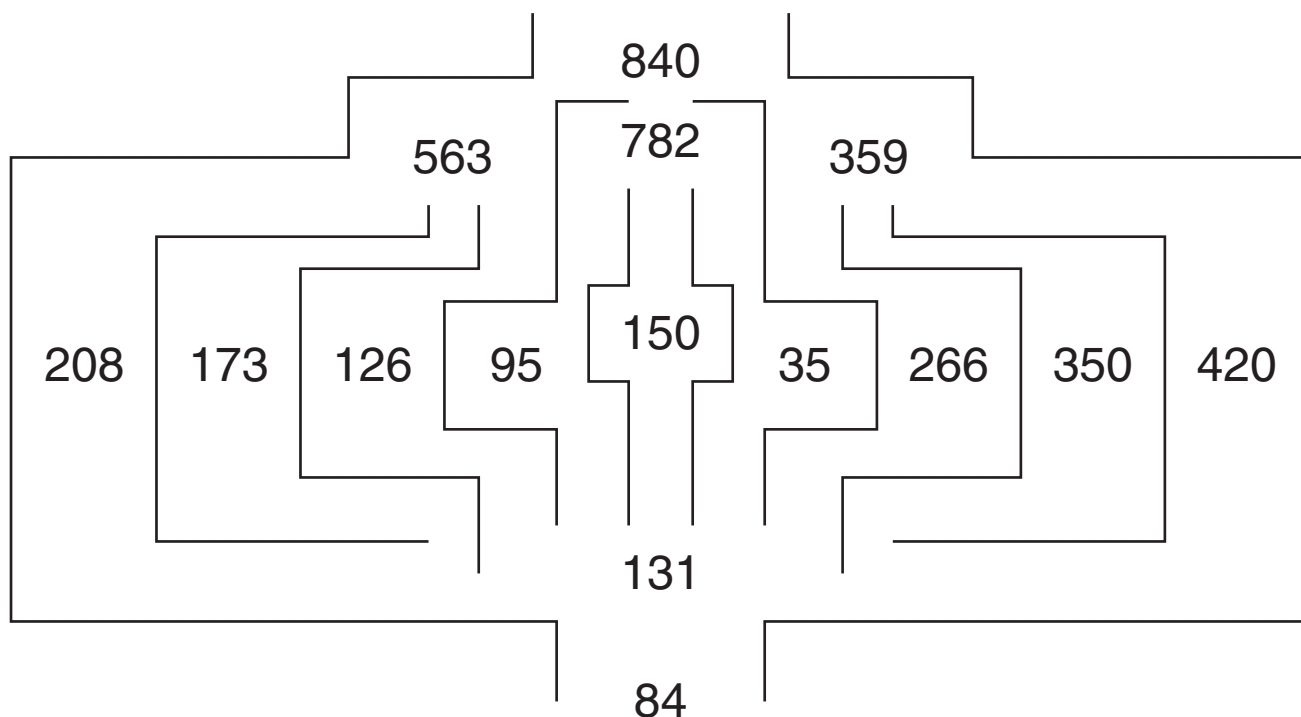


Challenge

Subtraction Maze

Start with 840 and subtract your way through the maze. Choose a path so that the result is 84. Put an X on each number in the path that won't work.

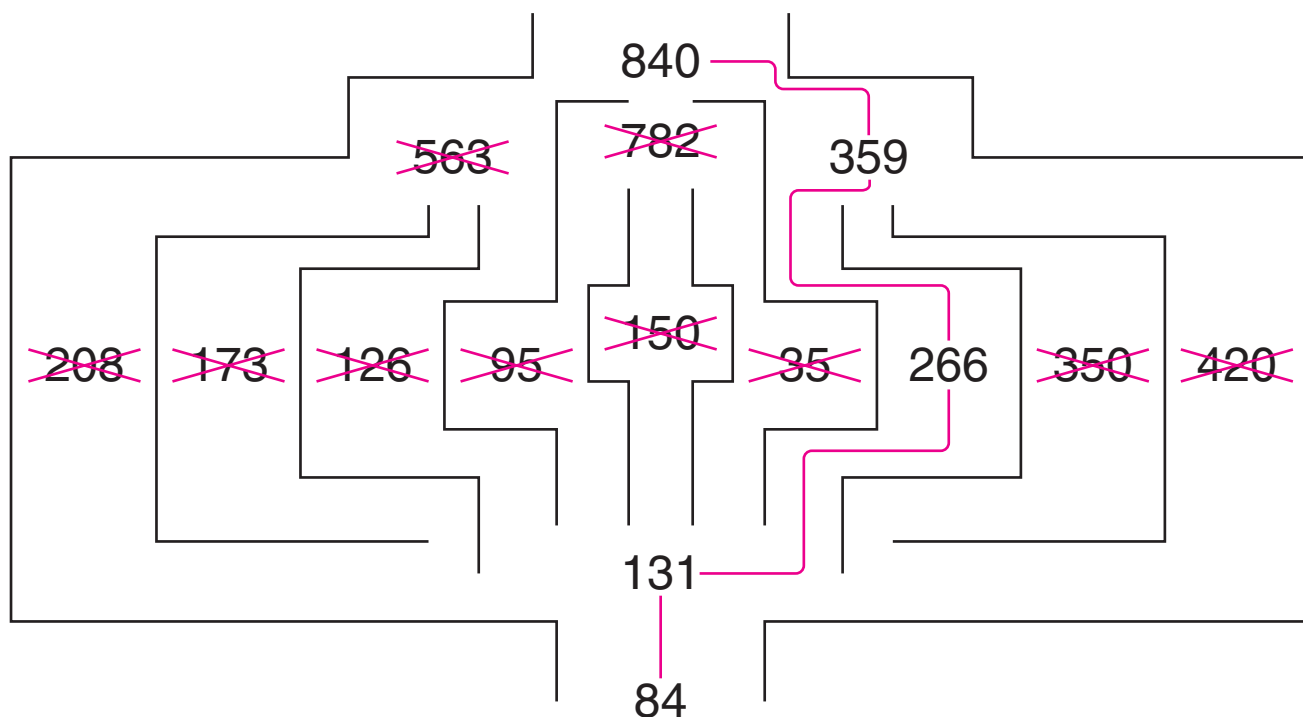


Think About It How do you know which paths will not work after the second step?

Challenge

Subtraction Maze

Start with 840 and subtract your way through the maze. Choose a path so that the result is 84. Put an X on each number in the path that won't work.



Think About It How do you know which paths will not work after the second step?

Possible response: When you get an answer that is less than 131, you can stop. For example, $840 - 782 = 58$. 58 is less than 131, so this can't be the right path.